

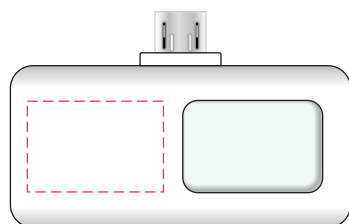
AR1361

Volte Smart Phone Thermometer

Branding Options: 4CP Digital Print

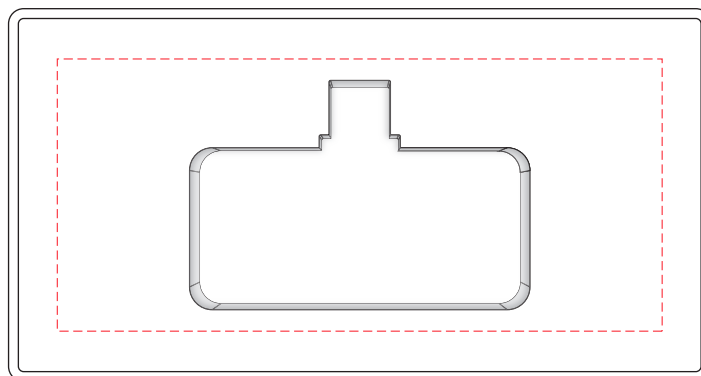
Product Size: 45 x 13.4 x 30.4 mm

Colour: Product Colour: White



Micro USB Connector

Front
Branding :18 x 12 mm (w x h)
4CP Digital Print



Front
Branding : 80 x 36 mm (w x h)
4CP Digital Print



----- Extent of Branding
(Not To Be Printed)

Please follow these artwork guidelines • Use and supply vector-based artwork • Illustrator compatible EPS or PDF with all fonts outlined • Indicate any necessary colour details with the correct PMS colour • All Pantone colours need to be supplied as Pantone Coated (PMS C) colours • All specifics need to be "embedded" in the file, i.e. no linked artwork should be provided • Bleed is crucial when printing edge to edge. Artwork must extend beyond the finished and trim size dimensions.

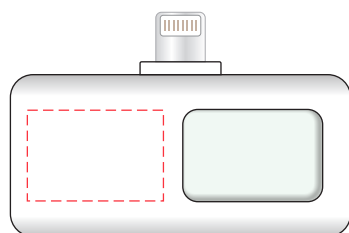
AR1361

Volte Smart Phone Thermometer

Branding Options: 4CP Digital Print

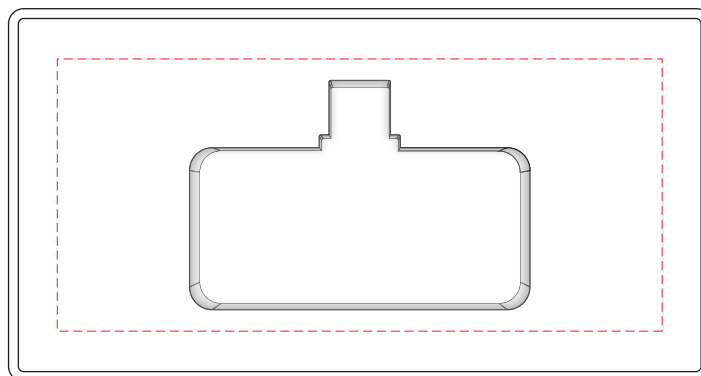
Product Size: 45 x 13.4 x 30.4 mm

Colour: Product Colour: White



8-Pin Connector

Front
Branding :18 x 12 mm (w x h)
4CP Digital Print



Front
Branding : 80 x 36 mm (w x h)
4CP Digital Print



----- Extent of Branding
(Not To Be Printed)

Please follow these artwork guidelines • Use and supply vector-based artwork • Illustrator compatible EPS or PDF with all fonts outlined • Indicate any necessary colour details with the correct PMS colour • All Pantone colours need to be supplied as Pantone Coated (PMS C) colours • All specifics need to be "embedded" in the file, i.e. no linked artwork should be provided • Bleed is crucial when printing edge to edge. Artwork must extend beyond the finished and trim size dimensions.

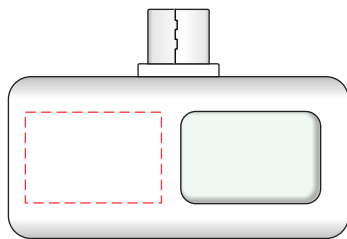
AR1361

Volte Smart Phone Thermometer

Branding Options: 4CP Digital Print

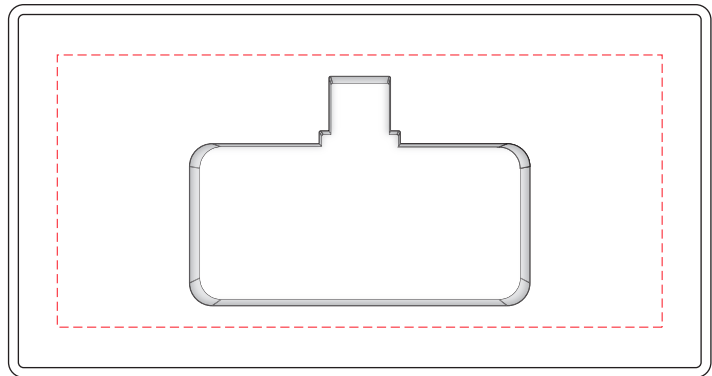
Product Size: 45 x 13.4 x 30.4 mm

Colour: Product Colour: White



USB Type-C Connector

Front
Branding :18 x 12 mm (w x h)
4CP Digital Print



Front
Branding : 80 x 36 mm (w x h)
4CP Digital Print



----- Extent of Branding
(Not To Be Printed)

Please follow these artwork guidelines • Use and supply vector-based artwork • Illustrator compatible EPS or PDF with all fonts outlined • Indicate any necessary colour details with the correct PMS colour • All Pantone colours need to be supplied as Pantone Coated (PMS C) colours • All specifics need to be "embedded" in the file, i.e. no linked artwork should be provided • Bleed is crucial when printing edge to edge. Artwork must extend beyond the finished and trim size dimensions.