

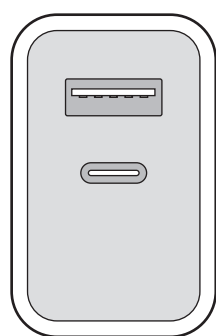
**AR1369**

**Alba 20W Quick Charge 3.0 Wall Charger**

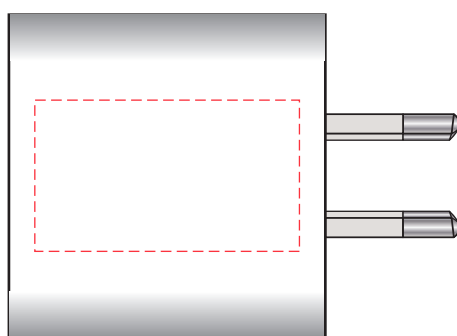
**Branding Options:** Pad Print, Laser Engrave, 4CP Digital Print

**Product Size:** 60 x 42 x 27 mm

**Colour:** Product Colour: Black, White

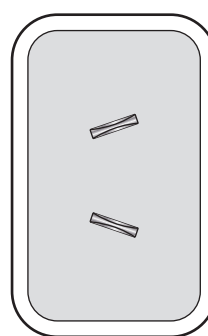


Front



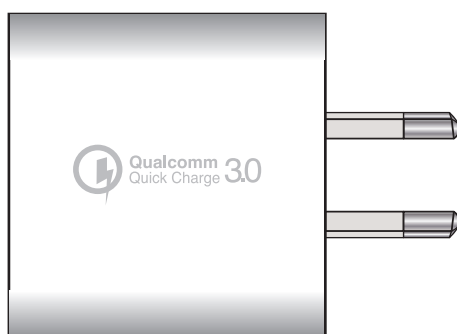
Top

Branding : 35 x 20 mm (w x h)  
4CP Digital Print



Rear

Branding : 35 x 20 mm (w x h)  
Pad Print



Bottom

Extent of Branding  
( Not To Be Printed )



----- Extent of Branding  
( Not To Be Printed )

Please follow these artwork guidelines • Use and supply vector-based artwork • Illustrator compatible EPS or PDF with all fonts outlined • Indicate any necessary colour details with the correct PMS colour • All Pantone colours need to be supplied as Pantone Coated (PMS C) colours • All specifics need to be "embedded" in the file, i.e. no linked artwork should be provided • Bleed is crucial when printing edge to edge. Artwork must extend beyond the finished and trim size dimensions.