

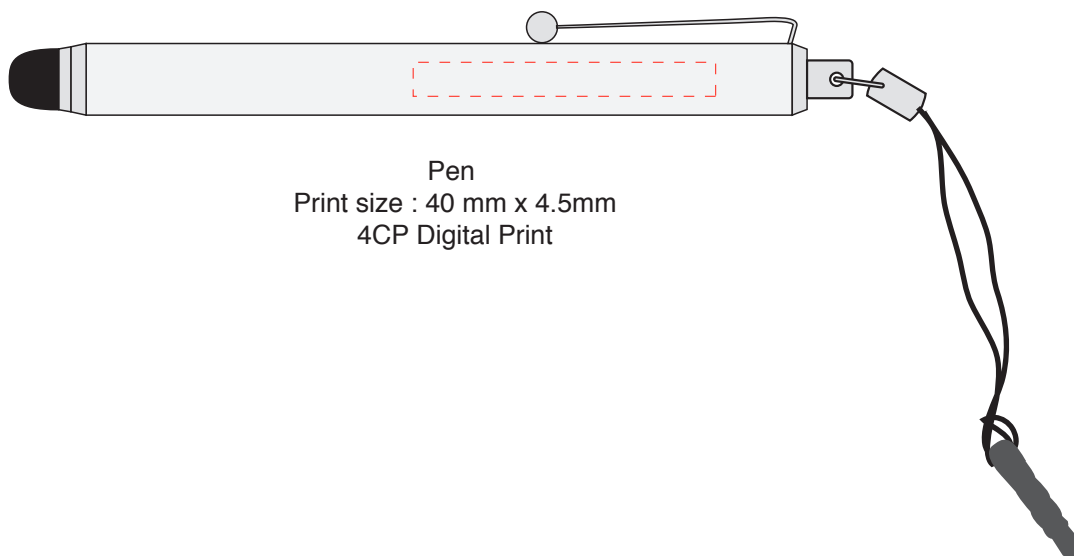
AR297

Hadera Stylus

Branding Options: 4CP Digital Print

Product Size: 110 x 10 mm

Colours: Product Colour: Black, Blue, Green, Pink, Purple, Red, Silver



Pen
Print size : 40 mm x 4.5mm
4CP Digital Print

100%



Please follow these artwork guidelines • Use and supply vector-based artwork • Illustrator compatible EPS or PDF with all fonts outlined • Indicate any necessary colour details with the correct PMS colour • All Pantone colours need to be supplied as Pantone Coated (PMS C) colours • All specifics need to be "embedded" in the file, i.e. no linked artwork should be provided • Bleed is crucial when printing edge to edge. Artwork must extend beyond the finished and trim size dimensions.