

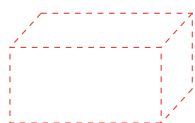
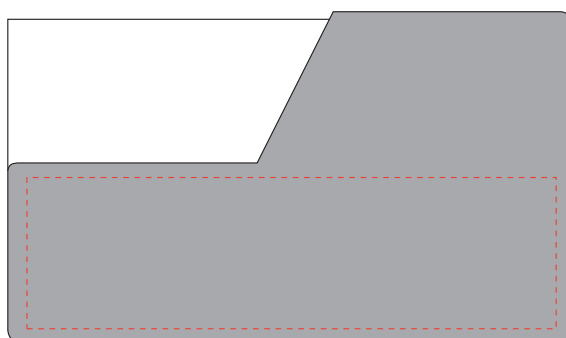
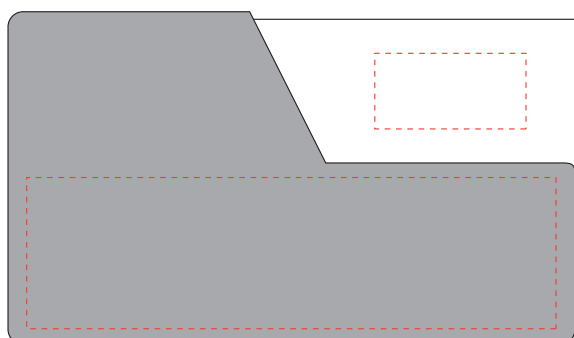
AR659

Light Up Crystal Power Bank

Print Process: Pad Print, 3D Laser Engrave - crystal

Product Size: 72 x 44 x 22 mm

Colours: Product Colour: Black, Blue, Green, Orange, Red, White



Front Crystal
Print Size : 20mm x 10mm x 10mm
Engraved

Rear
Print Size : 70mm x 20mm
4CP Direct Digital

Front
Print Size : 70mm x 20mm
4CP Direct Digital



Please follow these artwork guidelines: • Use and supply vector-based artwork • Illustrator compatible EPS or PDF with all fonts outlined • Indicate any critical colour details with the correct PMS colour • All Pantone colours need to be supplied as Pantone Coated (PMS C) colours • All details need to be “embedded” in the file, i.e. no linked artwork should be provided • Bleed is crucial when printing edge to edge. Artwork must extend beyond the finished and trim size dimensions.