

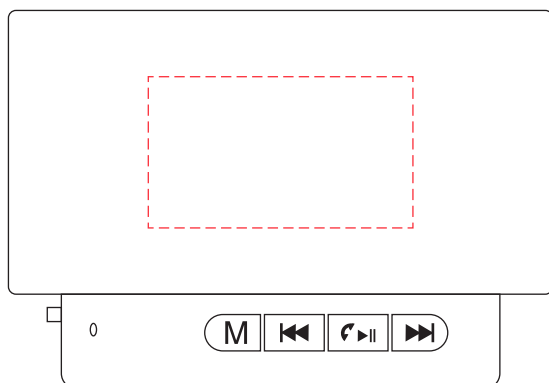
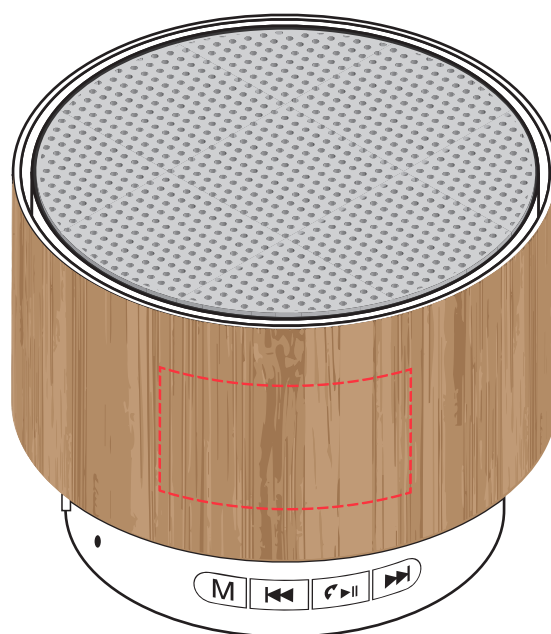
AR899

Muir Bamboo Bluetooth Speaker

Print Process: Pad Print, Laser Engrave

Product Size: 60 mm (Dia.) x 50 mm (H)

Colours: Product Colour: Bamboo



Front
Print : 35 x 20 mm (w x h)
Pad Print
Laser Engraved



----- Extent of Print Area(s)
(Not To Be Printed)



Please follow these artwork guidelines: • Use and supply vector-based artwork • Illustrator compatible EPS or PDF with all fonts outlined • Indicate any critical colour details with the correct PMS colour • All Pantone colours need to be supplied as Pantone Coated (PMS C) colours • All details need to be “embedded” in the file, i.e. no linked artwork should be provided • Bleed is crucial when printing edge to edge. Artwork must extend beyond the finished and trim size dimensions.